

Total power and Single wavelength power of mux/demux

Description

In the process of installation, debugging and maintenance of optical network equipment, the input and output power of multiplexer / demultiplexer are measured with power meter in field, so that to confirm whether there is optical power, whether it is normal and where the fault point is.

How to test and get the right power? Please check below diagram for reference, It should be noted that T1 test point is the single wavelength power and T2 test point is the total power.

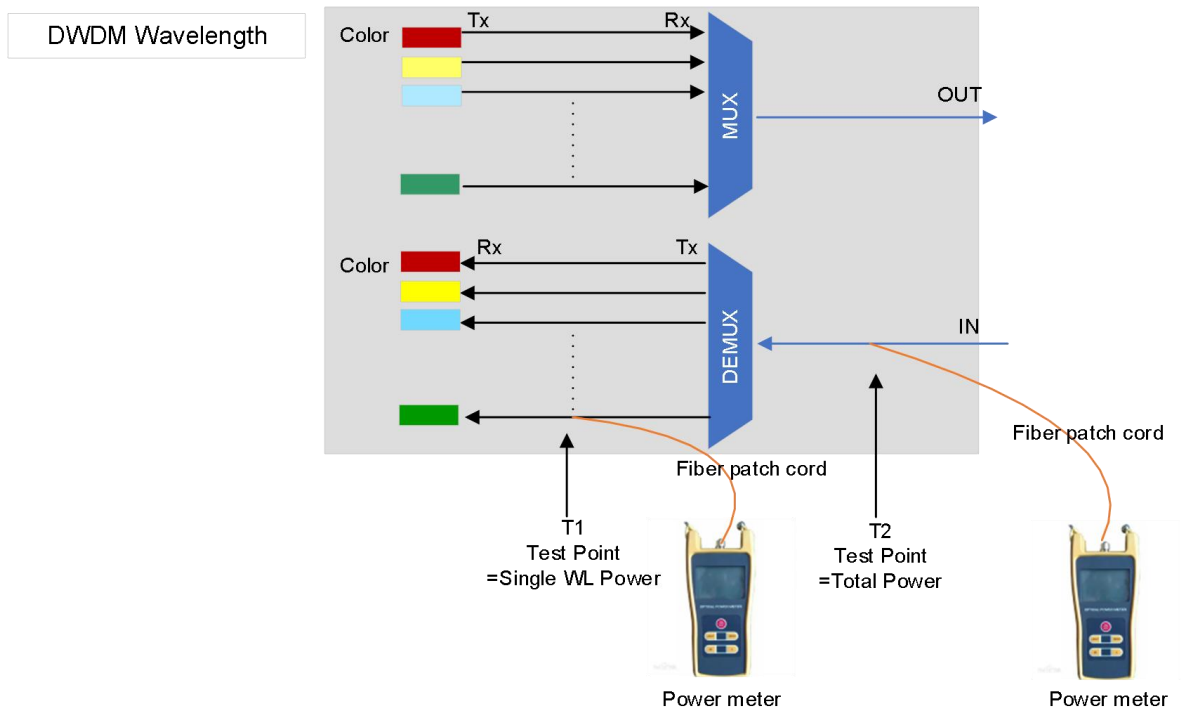


Figure:Optical power test

